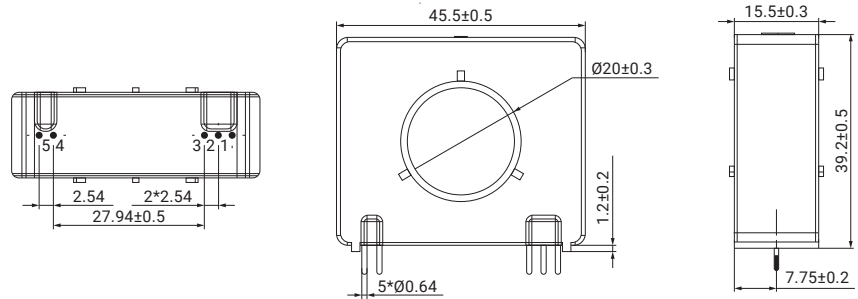
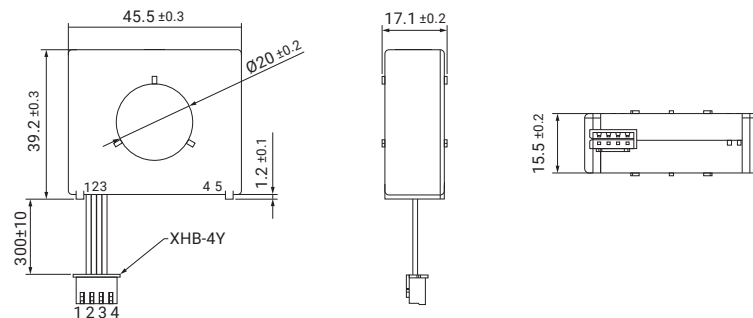


Series No. 型号	Primary Conductor Style 安装方式 & 初次侧连接方式	Maximum Primary Current 最大初级电流	Nominal Differential Current 差动电流	Measuring 量程	Output Mode 输出模式	Supply Voltage 供电电压	Max Current Consumption 最大消耗电流	Applicable Standards 适用标准	Type & Application 产品类型与应用
JWRC-S14C-DI1P	PCB & Primary Conductor PCB安装 & 引线焊接式	40A	AC 30mA DC 6mA	120mA	Signal	+5V	20mA	IEC62752	<ul style="list-style-type: none"> Type A+6mA / A+6mA型 IC-CPD Wallbox / 壁挂式充电 Charging Pile / 充电桩



Series No. 型号	Primary Conductor Style 安装方式 & 初次侧连接方式	Maximum Primary Current 最大初级电流	Nominal Differential Current 差动电流	Measuring 量程	Output Mode 输出模式	Supply Voltage 供电电压	Max Current Consumption 最大消耗电流	Applicable Standards 适用标准	Type & Application 产品类型与应用
JWRC-S20C-AP	PCB & Primary Conductor PCB安装 & 引线焊接式	--	--	600mA	2.5+2*I _p /I _{pn}	+5V	20mA	IEC60951 UL508 GB/T18487-2015	<ul style="list-style-type: none"> Type B / B型 PV Inverter / 光伏逆变器 Ground Fault Monitoring / 接地故障监测
JWRC-S20C-DI1P	PCB & Primary Conductor PCB安装 & 引线焊接式	--	AC 30mA DC 6mA	120mA	Signal	+5V	40mA	IEC62752	<ul style="list-style-type: none"> Type B / B型 IC-CPD Wallbox / 壁挂式充电 Charging Pile / 充电桩



Series No. 型号	Primary Conductor Style 安装方式 & 初次侧连接方式	Maximum Primary Current 最大初级电流	Nominal Differential Current 差动电流	Measuring 量程	Output Mode 输出模式	Supply Voltage 供电电压	Max Current Consumption 最大消耗电流	Applicable Standards 适用标准	Type & Application 产品类型与应用
JWRC-S20B-DI1F-L	Panel Mounting & Pass Through Opening 面板安装 & 引线穿孔式	--	AC 30mA DC 6mA	120mA	Signal	+5V	19mA	IEC62752 GB/T 41589	<ul style="list-style-type: none"> Type A+6mA / A+6mA型 IC-CPD Wallbox / 壁挂式充电 Charging Pile / 充电桩