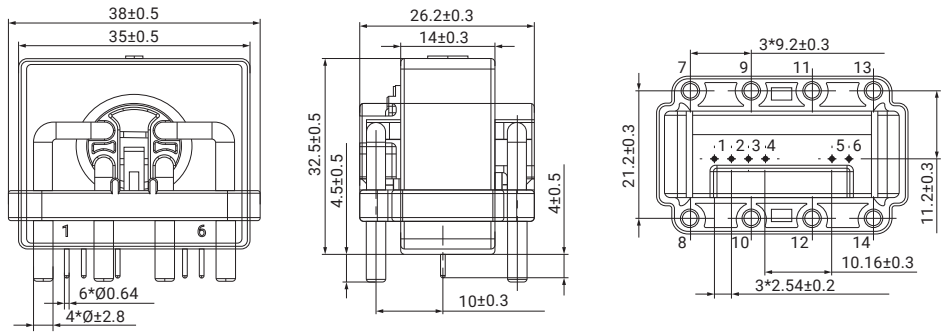
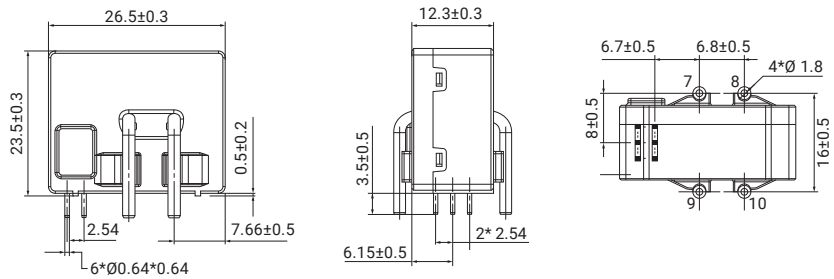


Series No. 型号	Primary Conductor Style 安装方式 & 初次侧连接方式	Maximum Primary Current 最大初级电流	Nominal Differential Current 差动电流	Measuring 量程	Output Mode 输出模式	Supply Voltage 供电电压	Max Current Consumption 最大消耗电流	Applicable Standards 适用标准	Type & Application 产品类型与应用
JWRC-S18A-DIP	Panel Mounting & Pass Through Opening 面板安装 & 引线穿孔式	--	AC 30mA DC 6mA	120mA	Signal	+5V	20mA	IEC62752 IEC62955 GB/T 41589 GB/T 40820	<ul style="list-style-type: none"> Type A+6mA / A+6mA型 Wallbox / 壁挂式充电 Charging Pile / 充电桩



Series No. 型号	Primary Conductor Style 安装方式 & 初次侧连接方式	Maximum Primary Current 最大初级电流	Nominal Differential Current 差动电流	Measuring 量程	Output Mode 输出模式	Supply Voltage 供电电压	Max Current Consumption 最大消耗电流	Applicable Standards 适用标准	Type & Application 产品类型与应用
JWRC-S14B-DIP-6T	PCB & Primary Conductor PCB安装 & 引线焊接式	40A	AC 30mA DC 6mA	120mA	Signal	+5V	20mA	IEC62752 IEC62955 GB/T 41589 GB/T 40820	<ul style="list-style-type: none"> Type A+6mA / A+6mA型 IC-CPD Wallbox / 壁挂式充电 Charging Pile / 充电桩



Series No. 型号	Primary Conductor Style 安装方式 & 初次侧连接方式	Maximum Primary Current 最大初级电流	Nominal Differential Current 差动电流	Measuring 量程	Output Mode 输出模式	Supply Voltage 供电电压	Max Current Consumption 最大消耗电流	Applicable Standards 适用标准	Type & Application 产品类型与应用
JWRC-S20B-AP	PCB & Primary Conductor PCB安装 & 引线焊接式	20A	--	600mA	2.5+2*lp/lpn	+5V	16mA	IEC60101 UL508 EN50178	<ul style="list-style-type: none"> Type B / B型 IC-CPD Charging Pile / 充电桩 Wallbox / 壁挂式充电桩 PV Inverter / 光伏逆变器